

# SERVICE MANUAL

STEREO AV RECEIVER

- This Service manual does not include "Electrical adjustment", "IC BLOCK DIAGRAM" and "IC DESCRIPTION". These items will be issued in the next supplement.

**aiwa**  
S/M Code No. 09-007-435-0N1

ONE TIME  
DATA

# SPECIFICATIONS

## FM tuner section

Tuning range	87.5 MHz to 108 MHz
Usable sensitivity	13.2 dBf
Antenna terminals	75 ohms(unbalanced)

## AM tuner section

Tuning range	531 1,602 kHz (9 kHz step) 530 1,702 kHz (10 kHz step)
Usable sensitivity	350uV/m
Antenna	Loop antenna

## Amplifier section

Power output	100 watts per channel, Min. RMS at 8 ohms, from 40 Hz to 20 kHz, with no more than 0.9% Total Harmonic Distortion
--------------	---

Total harmonic distortion	0.08%(50 W,1 kHz, 8 ohms, Front)
---------------------------	----------------------------------

Input	AUDIO IN PHONO: 1.5mV, adjustable(47 k ohms) VIDEO 1/DVD/MD, VIDEO 2/LD/TV, VIDEO 3, CD, AUX: 200mV, adjustable(47 k ohms) TAPE MONITOR: 250 mV, (47 k ohms) VIDEO IN: 1 Vp p (75 ohms)
-------	---

Output	AUDIO OUT (REC OUT): 200 mV (1 kohm) VIDEO OUT (MONITOR): 1 Vp p (75 ohms) SUB WOOFER: 2V (47 kohms) SPEAKERS IMP: 8 ohm (front speakers A and B): accepts speakers of 8 ohms or more. PHONES (stereo minijack): accepts headphones of 32 ohms or more
--------	---

Muting	20dB
General	
Power requirements	120V AC, 60 Hz
Power consumption	75W
Power consumption in standby mode	ECO OFF: 17W ECO ON: 1W
Dimensions (W x H x D)	430 x 155 x 392.5 mm (17 x 6 <sup>1</sup> / <sub>8</sub> x 15 <sup>1</sup> / <sub>2</sub> in.)
Weight	9.1 kg (20 lb 1oz.)

• Design and specifications are subject to change without notice.

## ACCESSORIES / PACKAGE LIST

REF. NO.	PART NO.	KANRI NO.	DESCRIPTION
1	8A-AR5-903-010	IB,U(ESF)M	
2	87-006-225-010	ANT, LOOP ANT NC2	
3	87-043-115-010	FEEDER-ANT, FM	
4	8A-AR5-701-010	RC UNIT,RC-AAR04 BLK	

# ELECTRICAL MAIN PARTS LIST

REF. NO.	PART NO.	KANRI NO.	DESCRIPTION	REF. NO.	PART NO.	KANRI NO.	DESCRIPTION
<b>IC</b>				C112	87-012-368-080		C-CAP,S 0.1-50 Z F
	87-017-022-080		C-IC,NJM2068M-D(T1)	C113	87-016-658-090		CAP,E 4700-35 M SMG
	87-017-726-080		C-IC,BU4052BCF	C114	87-016-658-090		CAP,E 4700-35 M SMG
	87-A21-202-040		C-IC,M62445AFP	C115	87-012-368-080		C-CAP,S 0.1-50 Z F
	87-020-784-080		C-IC,TC4053BF	C116	87-012-368-080		C-CAP,S 0.1-50 Z F
	8A-AR5-601-010		C-IC,UPD780226-016-3BA	C117	87-012-368-080		C-CAP,S 0.1-50 Z F
	87-070-083-010		IC,GP1U281X	C118	87-012-368-080		C-CAP,S 0.1-50 Z F
	87-A20-820-010		IC,BA7625	C119	87-A10-462-090		CAP,E 6800-63 SMG VB
	87-017-917-080		C-IC,BU4066BCF	C120	87-A10-462-090		CAP,E 6800-63 SMG VB
				C121	87-010-260-080		CAP,E 47-25 M 11L SME
<b>TRANSISTOR</b>				C122	87-010-403-080		CAP,E 3.3-50 M 11L SME
	87-A30-197-080		TR,KTA1267GR	C123	87-010-385-080		CAP,E 220-25 M SME
	87-026-245-080		TR,DTC114ES	C124	87-010-385-080		CAP,E 220-25 M SME
	87-A30-198-080		TR,KTC3199GR	C125	87-010-247-080		CAP,E 100-50 M SME
	89-110-372-080		C-TR,2SA1037K(R)	C126	87-010-263-080		CAP,E 100-10 M 11L SME
	89-213-702-010		TR,2SB1370E	C127	87-010-197-080		C-CAP,S 0.01-25 K B C2012
	87-A30-083-080		TR,CSD1489B	C143	87-A10-712-080		C-CAP,S 0.22-50 Z F
	87-A30-075-080		C-TR,2SA1235F	C144	87-A10-712-080		C-CAP,S 0.22-50 Z F
	87-A30-076-080		C-TR,2SC3052F	C203	87-010-176-080		C-CAP,S 680P-50 J SL
	87-026-610-080		TR,KTC3198GR	C204	87-010-176-080		C-CAP,S 680P-50 J SL
	87-026-609-080		TR,KTA1266GR	C205	87-010-405-080		CAP,E 10-50 M 11L SME
	87-A30-257-080		C-TR,2SD1306E	C206	87-010-405-080		CAP,E 10-50 M 11L SME
	87-A30-107-070		C-TR,CMBT5401	C209	87-010-392-080		CAP,E 33-35 M 11L SME
	87-A30-190-080		TR,CC5551	C210	87-010-392-080		CAP,E 33-35 M 11L SME
	87-A30-097-010		TR,FN1016	C211	87-010-322-080		C-CAP,S 100P-50 J CH GRM
	87-A30-098-010		TR,FP1016	C212	87-010-322-080		C-CAP,S 100P-50 J CH GRM
	87-A30-106-070		C-TR,CMBT5551	C215	87-A10-897-080		CAP,E 100-25 BP SME
	87-A30-186-010		FET,2SK3053	C216	87-A10-897-080		CAP,E 100-25 BP SME
	87-A30-072-080		C-TR,RT1P 144C	C217	87-A10-516-080		C-CAP,S 100P-200 J CH
	87-A30-074-080		C-TR,RT1P 141C	C218	87-A10-516-080		C-CAP,S 100P-200 J CH
	87-026-236-080		C-TR,DTC124EK	C221	87-A10-369-080		C-CAP,S 0.47-16 K B
	87-026-232-080		C-TR,DTA144WK	C222	87-A10-369-080		C-CAP,S 0.47-16 K B
	87-A30-071-080		C-TR,RT1N 144C	C223	87-010-402-080		CAP,E 2.2-50 M 11L SME
	87-A30-087-080		C-FET,2SK2158	C224	87-010-402-080		CAP,E 2.2-50 M 11L SME
				C225	87-010-196-080		C-CAP,S 0.1-25 Z F C2012
<b>DIODE</b>				C226	87-016-251-080		CAP,E 220-16 M SMG
	87-020-465-080		DIODE,1SS133	C227	87-010-178-080		C-CAP,S 1000P-50 K B C2012
	87-A40-345-080		ZENER,MTZJ10C	C228	87-010-178-080		C-CAP,S 1000P-50 K B C2012
	87-A40-468-080		C-DIODE,HSM2836CTR	C229	87-016-251-080		CAP,E 220-16 M SMG
	87-A40-115-060		DIODE,RS603M	C230	87-A10-354-080		C-CAP,S 0.047-50 K B
	87-A40-469-080		C-DIODE,HSM2838CTR	C231	87-A10-354-080		C-CAP,S 0.047-50 K B
	87-A40-004-080		ZENER,MTZJ16A	C241	87-A12-314-080		CAP,CER 47P-500 J SL
	87-A40-335-080		ZENER,MTZJ11C T-72	C242	87-A12-314-080		CAP,CER 47P-500 J SL
	87-A40-224-010		DIODE,GBU8DL	C285	87-010-186-080		C-CAP,S 4700P-50 K B C2012
	87-070-274-080		DIODE,1N4003 SEM	C287	87-010-190-080		C-CAP,S 0.01-50 Z F C2012
	87-A40-435-080		ZENER,MTZJ30D	C288	87-010-190-080		C-CAP,S 0.01-50 Z F C2012
	87-A40-341-080		ZENER,MTZJ36A	C289	87-010-190-080		C-CAP,S 0.01-50 Z F C2012
	87-A40-646-010		DIODE,FMB-G16L	C290	87-010-190-080		C-CAP,S 0.01-50 Z F C2012
	87-A40-437-080		ZENER,MTZJ4.3B	C291	87-012-368-080		C-CAP,S 0.1-50 Z F
	87-070-136-080		ZENER,MTZJ5.1B	C292	87-012-368-080		C-CAP,S 0.1-50 Z F
	87-A40-488-080		DIODE,1SS244	C293	87-012-368-080		C-CAP,S 0.1-50 Z F
	87-A40-438-080		ZENER,MTZJ4.7A	C294	87-012-368-080		C-CAP,S 0.1-50 Z F
	87-A40-344-080		ZENER,MTZJ6.2C	C295	87-012-368-080		C-CAP,S 0.1-50 Z F
				C296	87-012-368-080		C-CAP,S 0.1-50 Z F
				C297	87-012-368-080		C-CAP,S 0.1-50 Z F
				C298	87-012-368-080		C-CAP,S 0.1-50 Z F
				C501	87-010-404-080		CAP,E 4.7-50 M 11L SME
				C502	87-010-404-080		CAP,E 4.7-50 M 11L SME
				C503	87-012-157-080		C-CAP,S 330P-50 J CH GRM
				C504	87-012-157-080		C-CAP,S 330P-50 J CH GRM
<b>MAIN C.B</b>				C511	87-010-404-080		CAP,E 4.7-50 M 11L SME
C101	87-010-235-080		CAP,E 470-16 M SME	C512	87-010-404-080		CAP,E 4.7-50 M 11L SME
C102	87-010-235-080		CAP,E 470-16 M SME	C513	87-010-260-080		CAP,E 47-25 M 11L SME
C103	87-010-384-080		CAP,E 100-25 M 11L SME	C514	87-010-260-080		CAP,E 47-25 M 11L SME
C104	87-010-382-010		CAP,E 22-25 M SME	C515	87-010-370-080		CAP,E 330-6.3 M SME
C105	87-010-247-080		CAP,E 100-50 M SME	C516	87-010-370-080		CAP,E 330-6.3 M SME
C106	87-010-384-080		CAP,E 100-25 M 11L SME	C517	87-010-196-080		C-CAP,S 0.1-25 Z F C2012
C107	87-010-263-080		CAP,E 100-10 M 11L SME	C518	87-010-196-080		C-CAP,S 0.1-25 Z F C2012
C108	87-012-140-080		C-CAP,S 470P-50 J CH	C519	87-010-196-080		C-CAP,S 0.1-25 Z F C2012
C109	87-012-368-080		C-CAP,S 0.1-50 Z F	C520	87-010-196-080		C-CAP,S 0.1-25 Z F C2012
C110	87-012-368-080		C-CAP,S 0.1-50 Z F				
C111	87-012-368-080		C-CAP,S 0.1-50 Z F				



REF. NO.	PART NO.	KANRI NO.	DESCRIPTION	REF. NO.	PART NO.	KANRI NO.	DESCRIPTION
LED703	87-A40-317-080		LED,SLR-342VCT31 RED	C709	87-012-195-080		C-CAP,U 100P-50CH
LED705	87-A40-317-080		LED,SLR-342VCT31 RED	C711	87-010-263-080		CAP,ELECT 100-10V
LED706	87-A40-317-080		LED,SLR-342VCT31 RED	C712	87-010-196-080		CHIP CAPACITOR,0.1-25
LED707	87-A40-317-080		LED,SLR-342VCT31 RED	C713	87-012-286-080		CAP,U 0.01-25
LED708	87-A40-317-080		LED,SLR-342VCT31 RED	C714	87-012-286-080		CAP,U 0.01-25
LED709	87-A40-317-080		LED,SLR-342VCT31 RED	C717	87-012-286-080		CAP,U 0.01-25
LED710	87-A40-317-080		LED,SLR-342VCT31 RED	C719	87-012-286-080		CAP,U 0.01-25
LED711	87-A40-317-080		LED,SLR-342VCT31 RED	C721	87-012-176-080		CAP,15P
LED712	87-A40-317-080		LED,SLR-342VCT31 RED	C722	87-012-176-080		CAP,15P
S801	87-A90-095-080		SW,TACT EVQ11G04M	C723	87-012-274-080		CHIP CAP,U 1000P-50B
S802	87-A90-095-080		SW,TACT EVQ11G04M	C725	87-012-274-080		CHIP CAP,U 1000P-50B
S806	87-A90-095-080		SW,TACT EVQ11G04M	C727	87-010-196-080		CHIP CAPACITOR,0.1-25
S807	87-A90-095-080		SW,TACT EVQ11G04M	C728	87-010-248-080		CAP,ELECT 220-10V
S809	87-A90-095-080		SW,TACT EVQ11G04M	C755	87-012-286-080		CAP,U 0.01-25
S812	87-A90-095-080		SW,TACT EVQ11G04M	C756	87-012-286-080		CAP,U 0.01-25
S813	87-A90-095-080		SW,TACT EVQ11G04M	C757	87-012-188-080		C-CAP,U 47P-50 CH
S814	87-A90-095-080		SW,TACT EVQ11G04M	C758	87-012-167-080		C-CAP,U 5P-50 CH
S816	87-A90-095-080		SW,TACT EVQ11G04M	C761	87-010-196-080		CHIP CAPACITOR,0.1-25
S817	87-A90-095-080		SW,TACT EVQ11G04M	C763	87-010-829-080		CAP,U 0.047-16
SW801	87-A91-646-010		SW,RTRY EC12E12204	C764	87-012-337-080		C-CAP,U 56P-50 CH
SW802	87-A91-647-010		SW,RTRY EC12E12504	C765	87-012-286-080		C-CAP,U 0.01-25
				C769	87-010-408-080		CAP,ELECT 47-50 M 11L
				C770	87-010-829-080		CAP,U 0.047-16
				C771	87-010-383-080		CAP,ELECT 33-25 M 11L
				C772	87-010-829-080		CAP,U 0.047-16
VOLUME C.B							
C607	87-010-178-080		C-CAP,S 1000P-50 K B C2012				
CN601	87-A60-083-010		CONN,04P H 9604S-04F	C773	87-010-196-080		CHIP CAPACITOR,0.1-25
S601	87-A90-095-080		SW,TACT EVQ11G04M	C774	87-010-263-080		CAP,ELECT 100-10V
S602	87-A90-095-080		SW,TACT EVQ11G04M	C775	87-010-404-080		CAP,ELECT 4.7-50V
SW601	87-A91-645-010		SW,RTRY EC12E24304NON-CLICK	C776	87-012-286-080		CAP,U 0.01-25
				C777	87-010-400-080		CAP,ELECT 0.47-50V
				C778	87-010-401-080		CAP,ELECT 1-50V
				C779	87-010-401-080		CAP,ELECT 1-50V
				C780	87-010-196-080		CHIP CAPACITOR,0.1-25
				C781	87-010-405-080		CAP,ELECT 10-50V
				C782	87-010-405-080		CAP,ELECT 10-50V
				C783	87-012-286-080		CAP,U 0.01-25
				C784	87-012-286-080		CAP,U 0.01-25
				C785	87-010-805-080		CAP,S 1-16
				C786	87-010-805-080		CAP,S 1-16
				C787	87-012-280-080		CAP,U 3300P-50
				C788	87-012-280-080		CAP,U 3300P-50
				C789	87-012-275-080		C-CAP,U 1200P-50 B
				C790	87-012-275-080		C-CAP,U 1200P-50 B
				C791	87-010-405-080		CAP,ELECT 10-50V
				C793	87-012-273-080		C-CAP,U 820P-50 B
				C794	87-010-406-080		CAP,ELECT 22-50
				C795	87-010-194-080		C-CAP,S 0.047-25 FZ
				C796	87-010-403-080		CAP,ELECT 3.3-50V
				C797	87-012-278-080		CAP,U 2200P-50
				C798	87-012-278-080		CAP,U 2200P-50
				C799	87-010-829-080		CAP,U 0.047-16
△ C007	87-A10-922-090		CAP,CER 0.01-250 M F KH	C812	87-012-286-080		CAP,U 0.01-25
△ CN101	88-805-042-690		CONN ASSY,4P	C813	87-010-196-080		CHIP CAPACITOR,0.1-25
△ CN103	87-A61-057-010		CONN,9P V THL-P09P-A1	C814	87-012-286-080		CAP,U 0.01-25
△ F101	87-035-493-010		FUSE,8A 125V T 237	C819	87-010-197-080		CAP,CHIP 0.01 DM
△ FC101	87-A90-160-080		FUSE CLAMP,FC 51F				
				C820	87-010-260-080		CAP,ELECT 47-25V
△ FC102	87-A90-160-080		FUSE CLAMP,FC 51F	C821	87-012-286-080		CAP,U 0.01-25
△ PR001	87-A91-276-080		FUSE,125MA 125V F 251	C822	87-012-286-080		CAP,U 0.01-25
△ PR105	87-026-691-080		FUSE,10A 125V 251	C823	87-012-286-080		CAP,U 0.01-25
△ PR106	87-026-691-080		FUSE,10A 125V 251	C828	87-010-196-080		CHIP CAPACITOR,0.1-25
△ PT002	8Z-NF8-661-010		PT,SUB ZNF-8(U)				
				C829	87-010-196-080		CHIP CAPACITOR,0.1-25
△ PT101	8Z-AR4-601-010		PT,ZAR-4(U)	C959	87-010-196-080		CHIP CAPACITOR,0.1-25
△ RY001	87-A90-977-010		RELAY,AC12V DG12D1-O(M)	C960	87-010-196-080		CHIP CAPACITOR,0.1-25
△ T001	87-A60-317-010		TERMINAL, 1P MSC	C961	87-012-170-080		C-CAP,U 8P-50 CH
△ T002	87-A60-317-010		TERMINAL, 1P MSC	CF801	87-008-261-080		FILTER,SFE 10.7MA5-A
				CF802	87-008-261-080		FILTER,SFE 10.7MA5-A
				CF801	87-008-261-080		FILTER,SFE 10.7MA5-A
				CN601	87-099-028-010		CONN,11P 6216 H
				FFE801	A8-8ZA-190-030		8ZA-1 FEUNM
				J801	87-A60-657-010		TERMINAL,4P HSP-154V5-02
TUNER C.B							
C701	87-010-260-080		CAP,E 47-25V				
C702	87-010-404-080		CAP,E 4.7-50V				
C703	87-012-286-080		CAP,U 0.01-25				
C704	87-012-286-080		CAP,U 0.01-25				

REF. NO.	PART NO.	KANRI NO.	DESCRIPTION
L771	87-A50-266-010		COIL, FM DET-2N(TOK)
L772	87-A90-733-010		FLTR, PCFAZH-450
L781	87-005-847-080		COIL, 2.2UH (CECS)
L791	87-A50-209-010		COIL, 1 POLE MPX (MIT)
L792	87-A50-209-010		COIL, 1 POLE MPX (MIT)
L832	87-005-847-080		COIL, 2.2UH (CECS)
L981	87-NF4-650-010		COIL, AM PACK4N (TOK)
X721	87-A70-061-010		VIB, XTAL 4.500MHZ CSA-309

○チップ抵抗部品コード/CHIP RESISTOR PART CODE

チップ抵抗部品コードの成り立ち

Chip Resistor Part Coding



A  
抵抗部品コード  
Resistor Code

桁表示  
Figure  
抵抗値  
Value of resistor

チップ抵抗  
Chip resistor

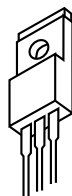
容量 Wattage	種類 Type	許容誤差 Tolerance	記号 Symbol	寸法/Dimensions (mm)			抵抗コード : A Resistor Code : A	
				外形/Form	L	W		t
1/16W	1005	± 5%	CJ		1.0	0.5	0.35	104
1/16W	1608	± 5%	CJ		1.6	0.8	0.45	108
1/10W	2125	± 5%	CJ		2	1.25	0.45	118
1/8W	3216	± 5%	CJ		3.2	1.6	0.55	128

TRANSISTOR ILLUSTRATION



E C B

CC5551  
KTA1266  
KTC3198



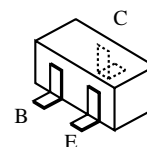
B C E

2SB1370  
FN1016  
FP1016



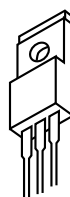
E C B

DTC114ES  
KTC3199  
KTA1267



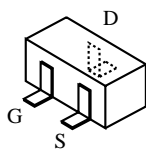
2SA1037  
2SA1235  
2SC3052  
2SD1306  
CMBT5401  
CMBT5551

DTA144WK  
DTC124EK  
RT1N144C  
RT1P141C  
RT1P144C



G D S

2SK3053



2SK2158



E C B

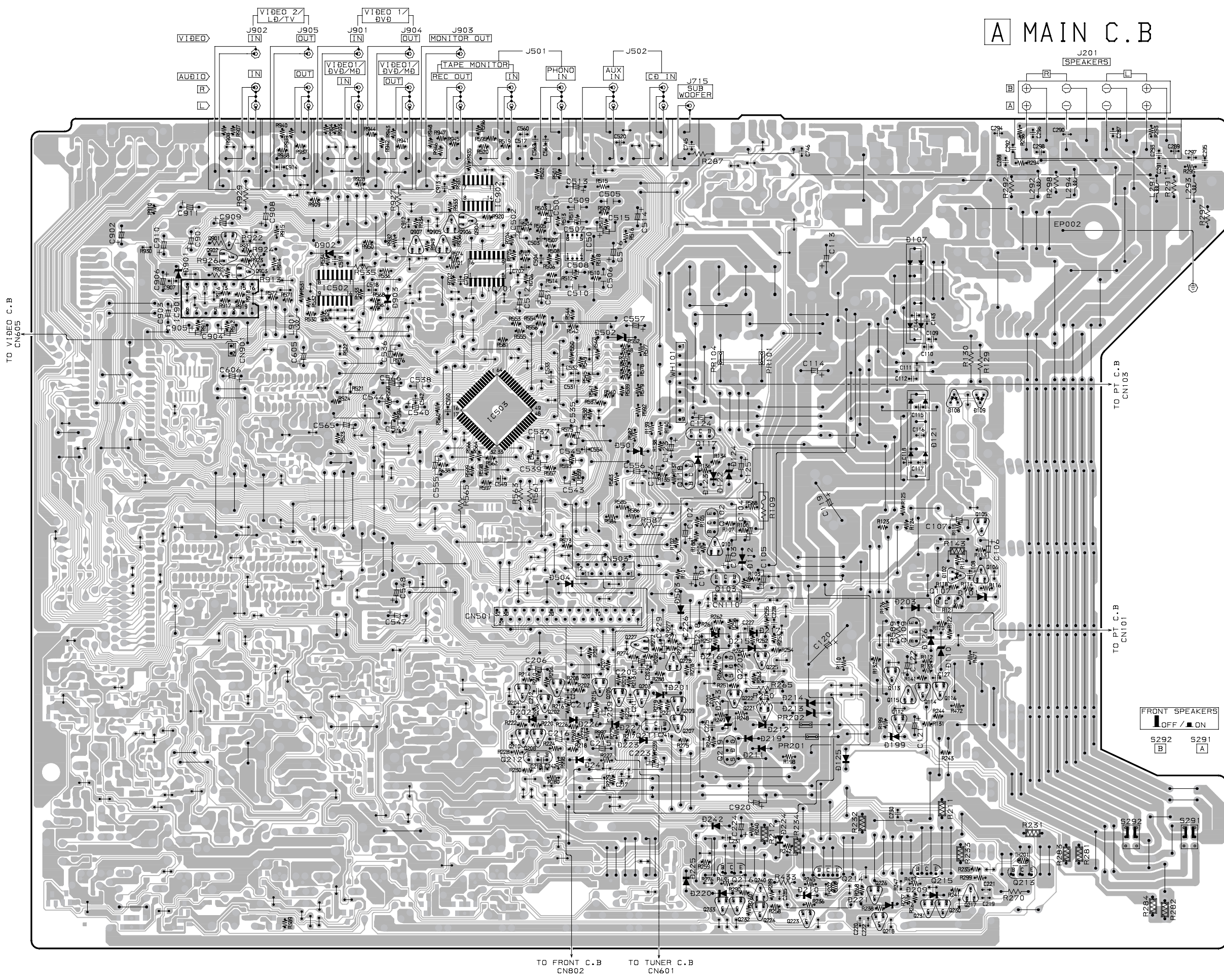
CSD1489



WIRING-1 (MAIN)

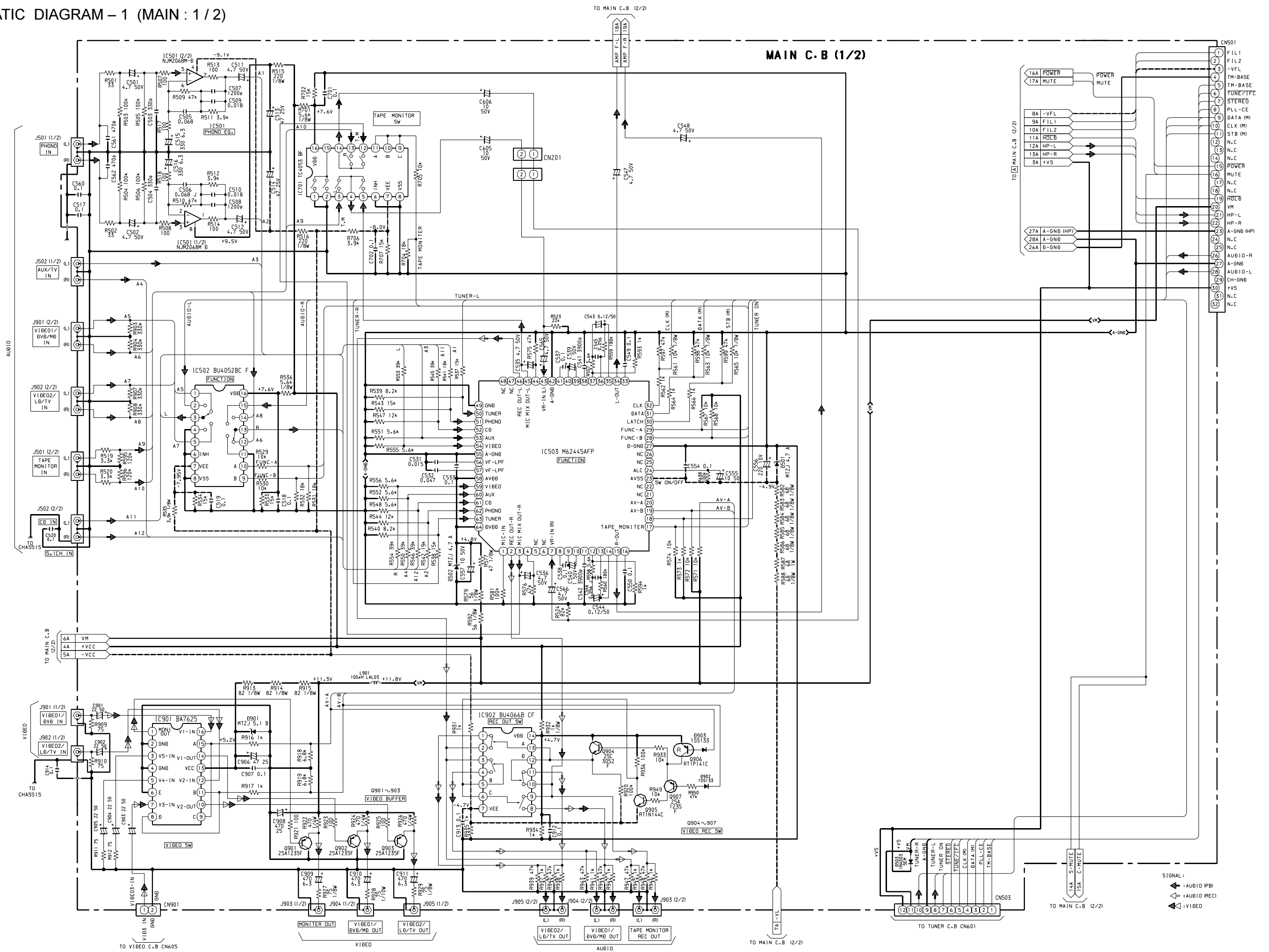
32 31 30 29 28 27 26 25 24 23 22 21 20 19 18 17 16 15 14 13 12 11 10 9 8 7 6 5 4 3 2 1

A  
B  
C  
D  
E  
F  
G  
H  
I  
J  
K  
L  
M  
N  
O  
P  
Q  
R  
S  
T  
U



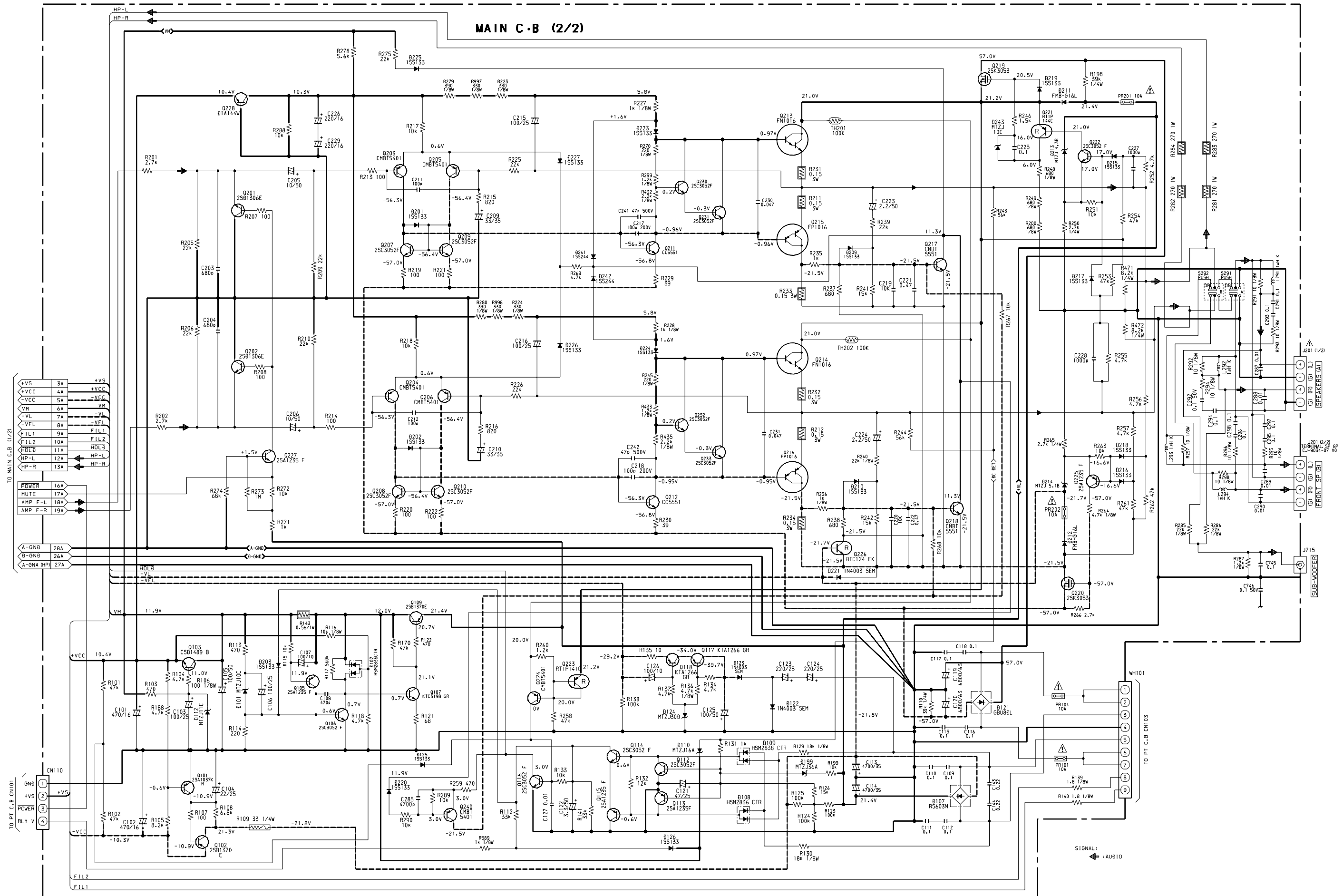
A MAIN C.B

SCHEMATIC DIAGRAM - 1 (MAIN : 1 / 2)





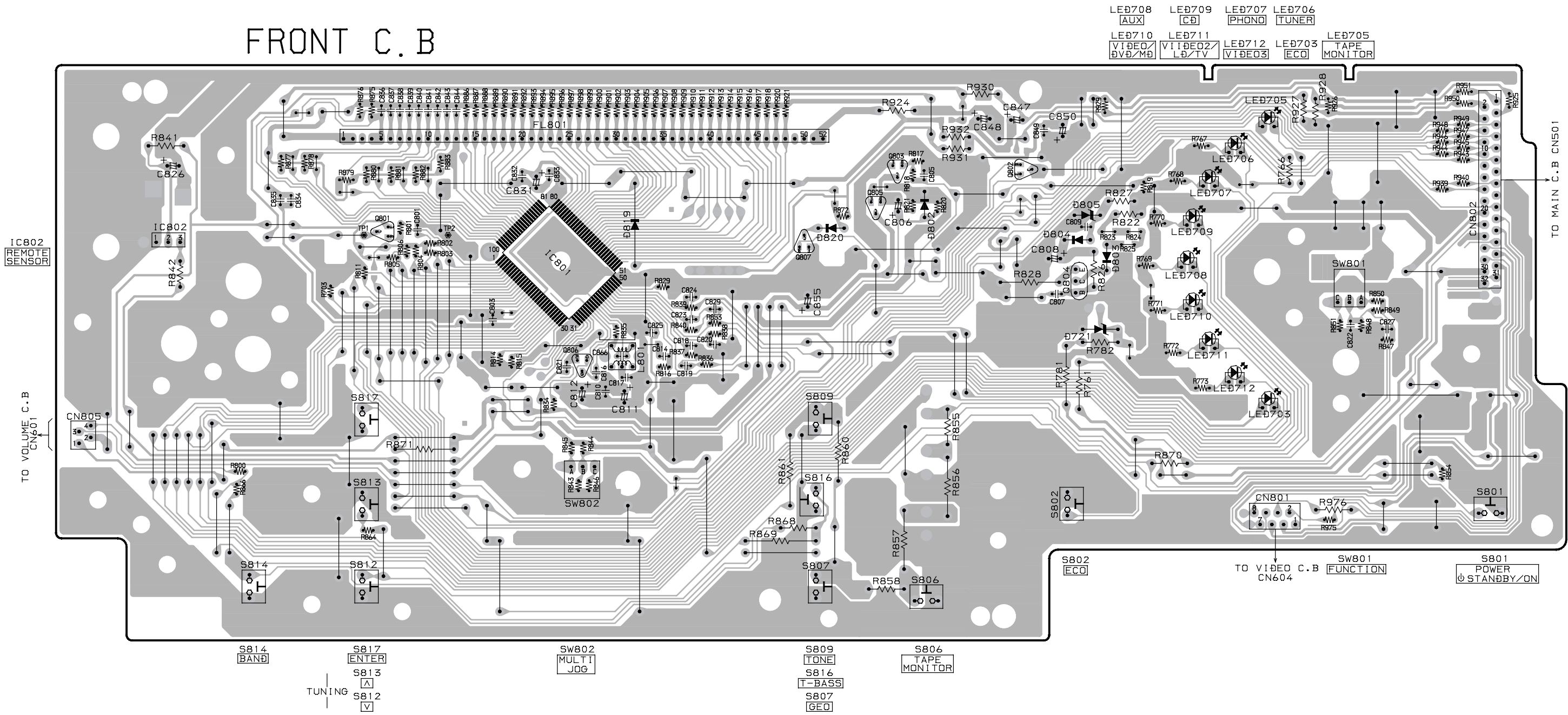
SCHEMATIC DIAGRAM - 2 (MAIN : 2 / 2)



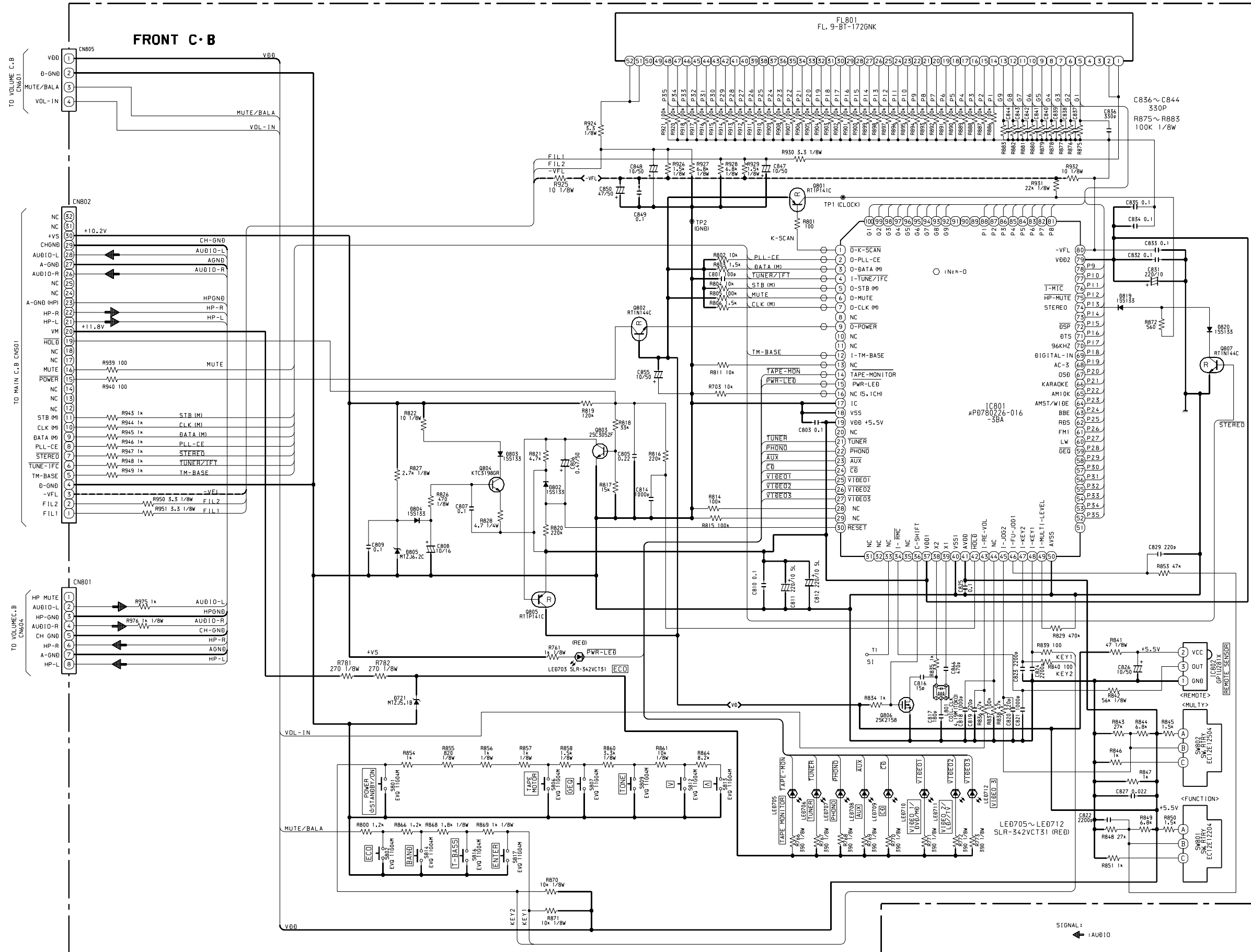
32	31	30	29	28	27	26	25	24	23	22	21	20	19	18	17	16	15	14	13	12	11	10	9	8	7	6	5	4	3	2	1
----	----	----	----	----	----	----	----	----	----	----	----	----	----	----	----	----	----	----	----	----	----	----	---	---	---	---	---	---	---	---	---

A
B
C
D
E
F
G
H
I
J
K
L
M
N
O
P
Q
R
S
T
U

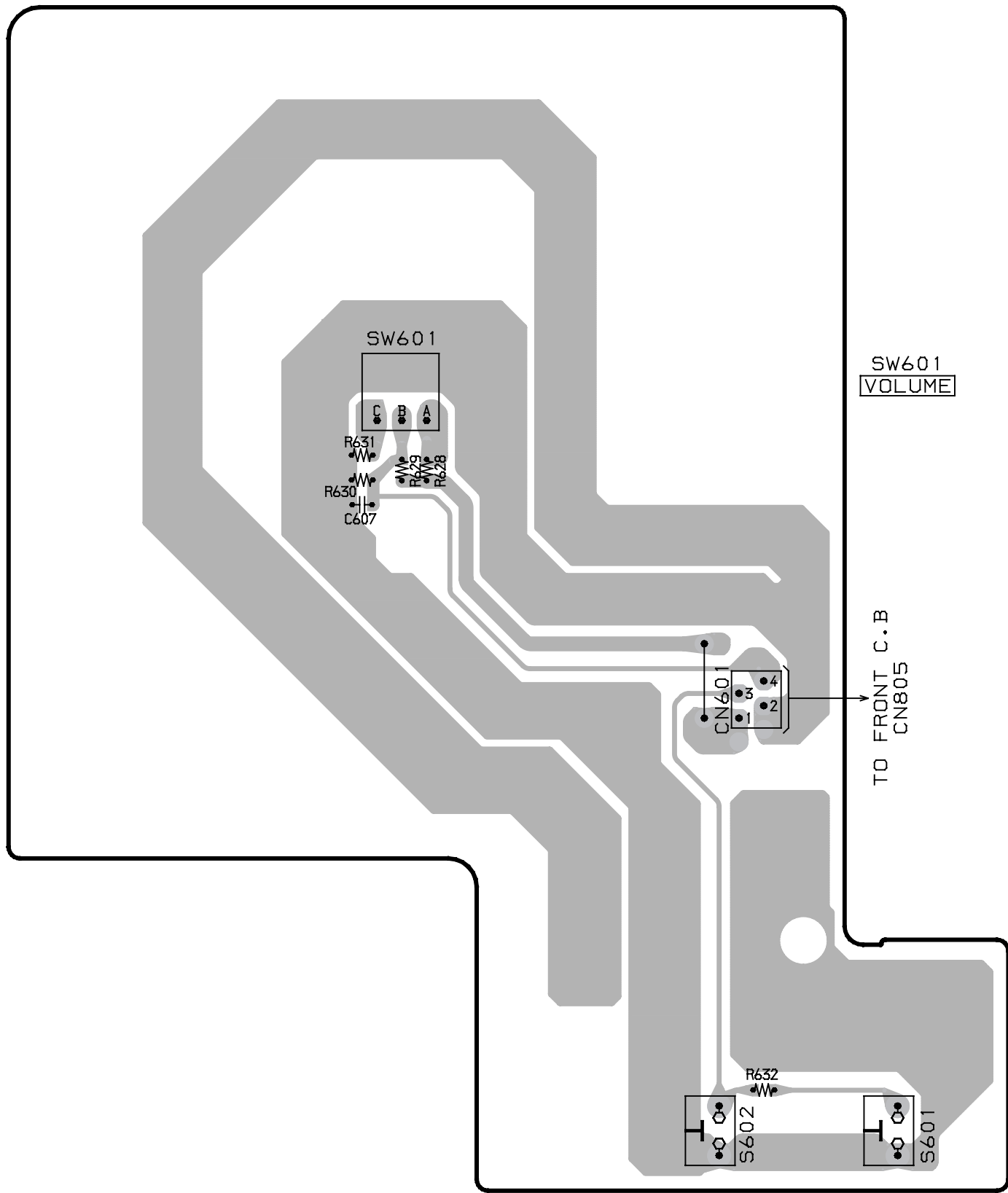
FRONT C.B



SCHEMATIC DIAGRAM – 3 (FRONT)

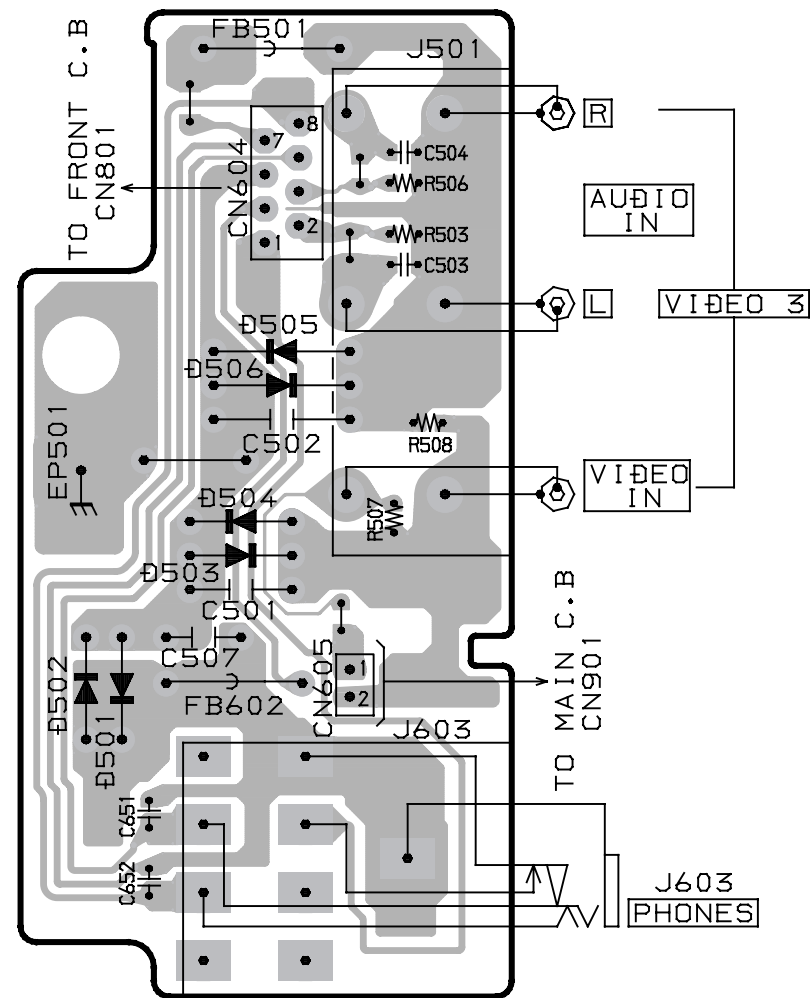


# VOLUME C.B



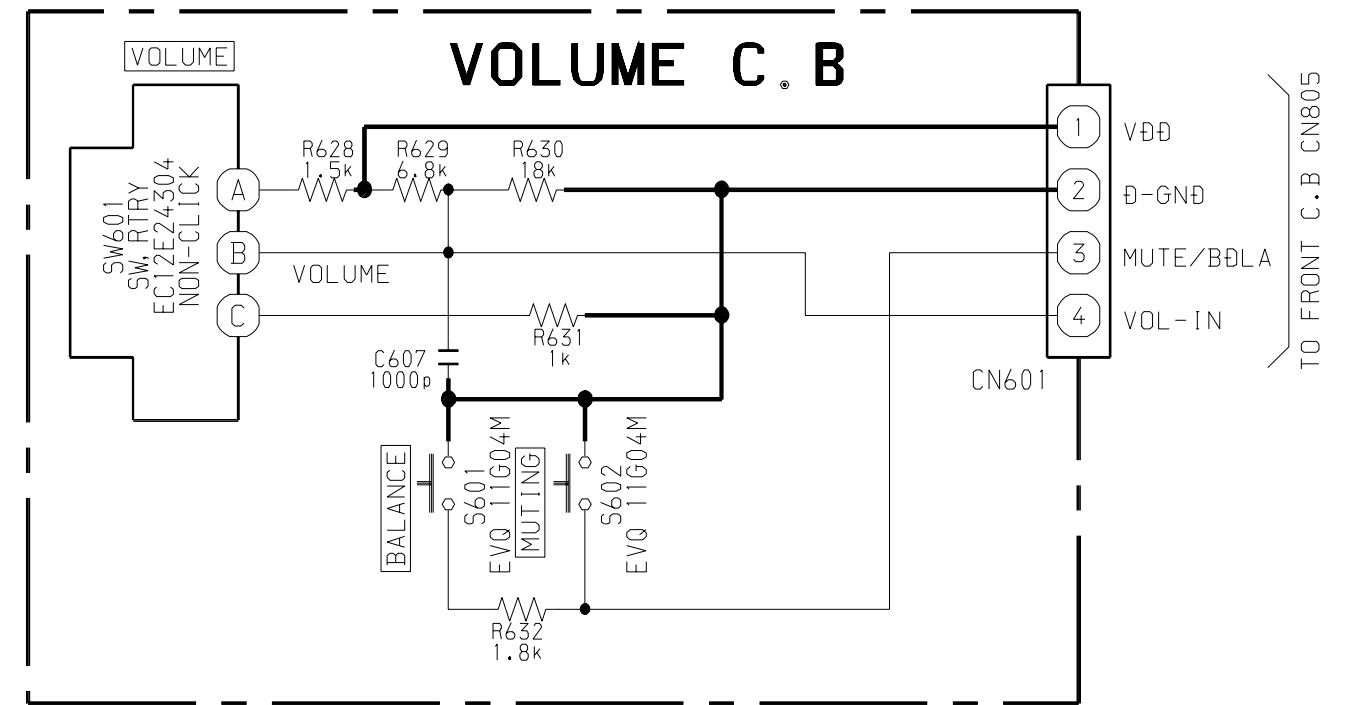
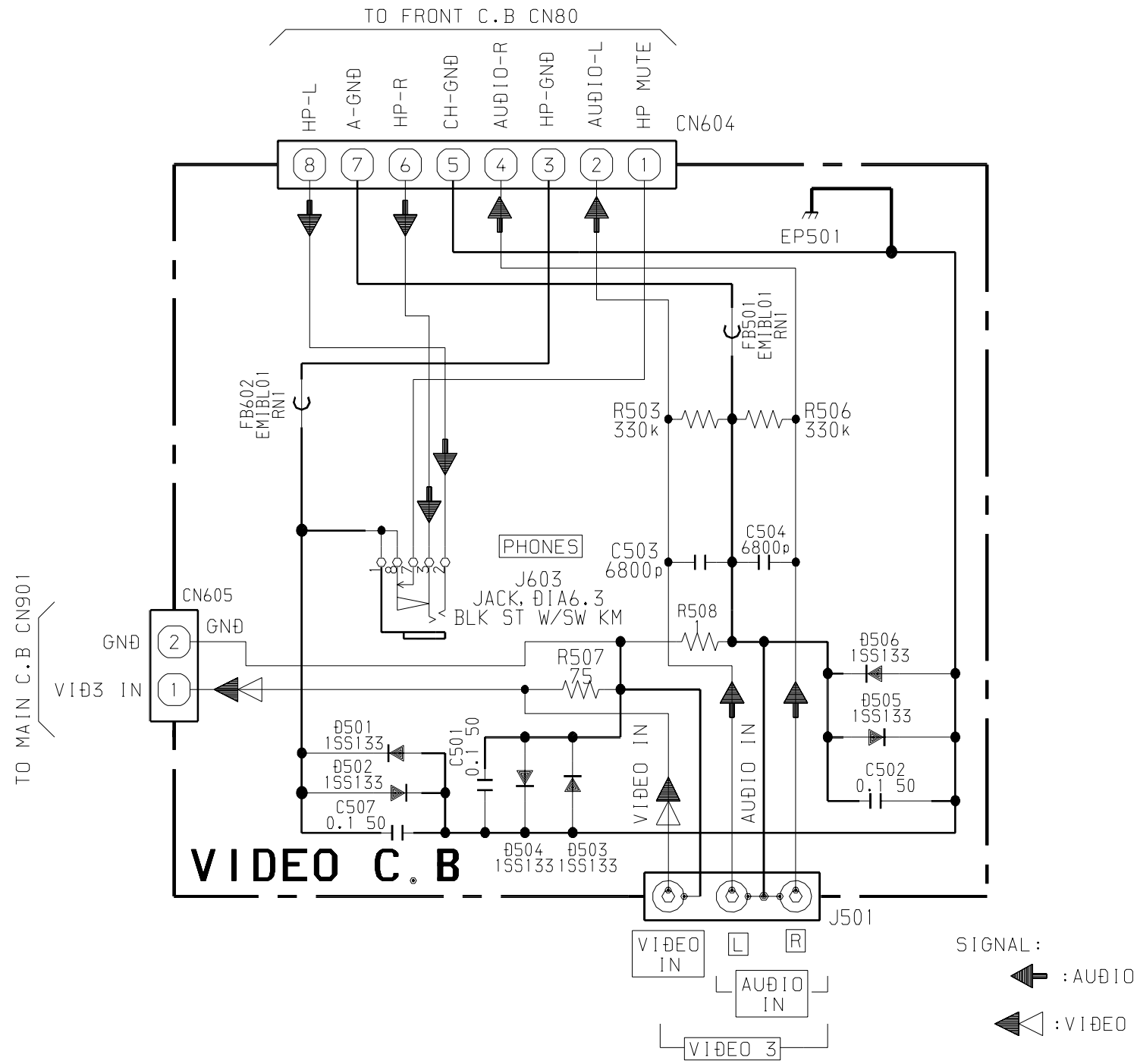
S602 MUTING      S601 BALANCE

# VIDEO C.B



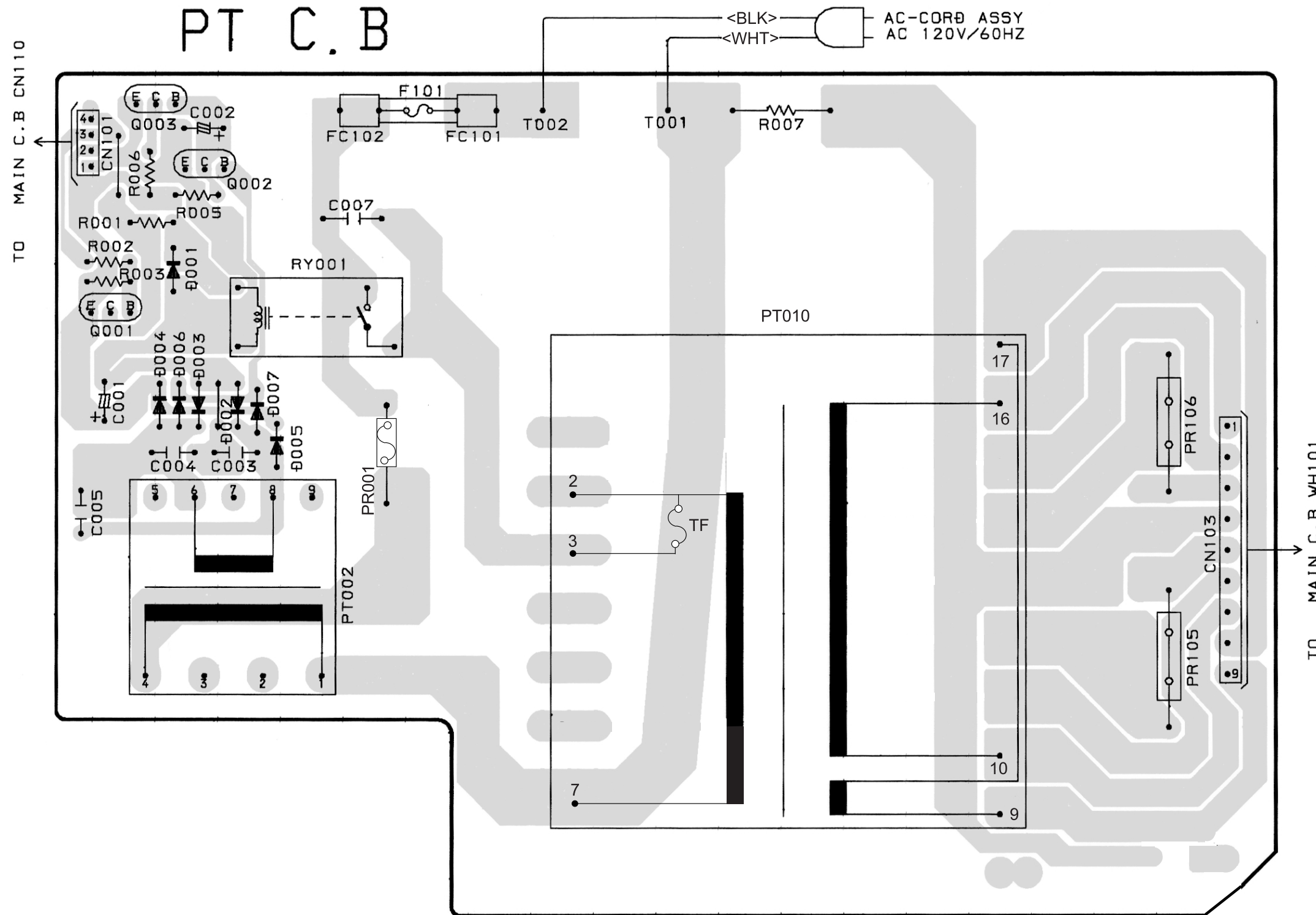
A  
B  
C  
D  
E  
F  
G  
H  
I  
J  
K  
L  
M  
N  
O  
P  
Q  
R  
S  
T  
U

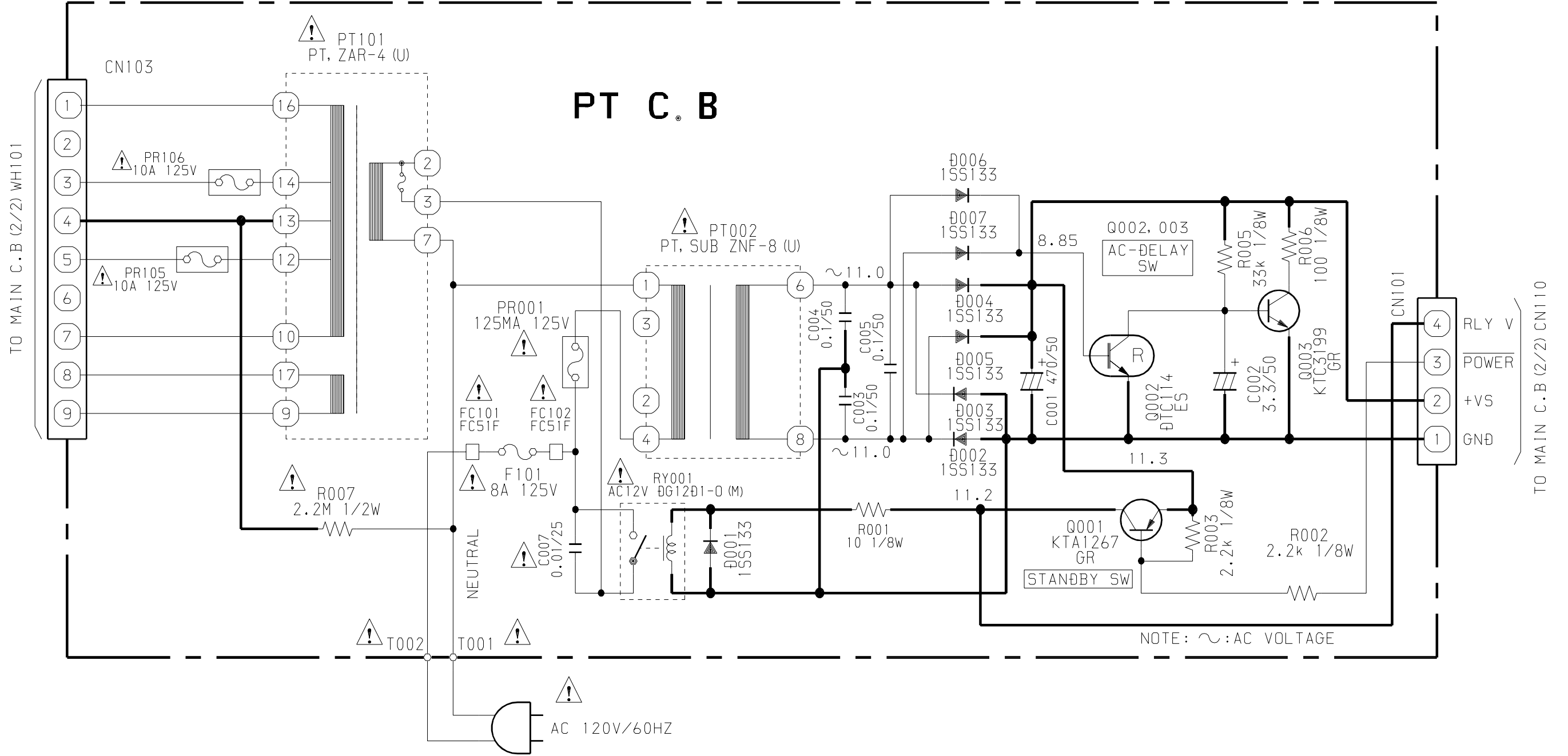
SCHEMATIC DIAGRAM - 4 (VOLUME / VIDEO)



32	31	30	29	28	27	26	25	24	23	22	21	20	19	18	17	16	15	14	13	12	11	10	9	8	7	6	5	4	3	2	1
----	----	----	----	----	----	----	----	----	----	----	----	----	----	----	----	----	----	----	----	----	----	----	---	---	---	---	---	---	---	---	---

A
B
C
D
E
F
G
H
I
J
K
L
M
N
O
P
Q
R
S
T
U

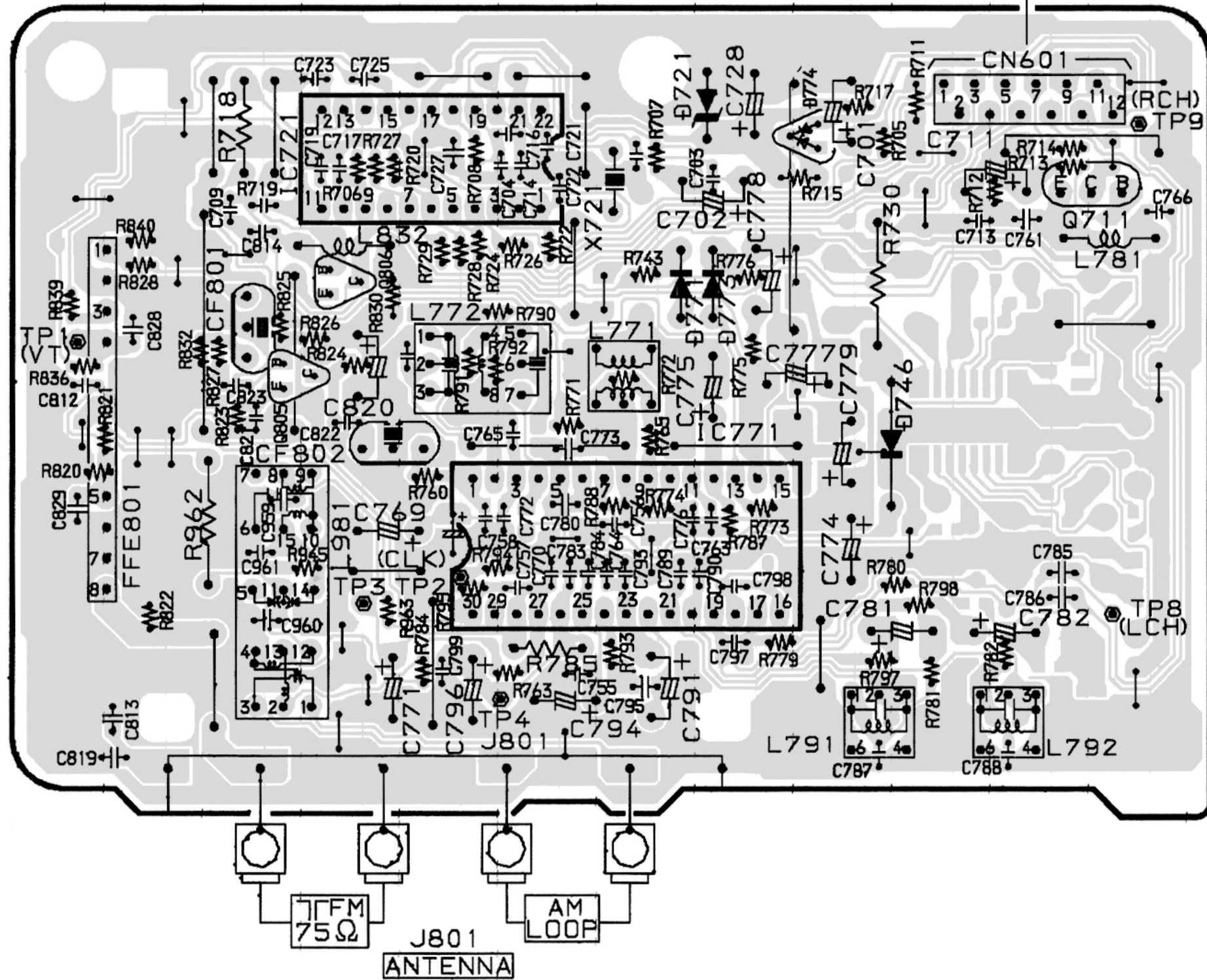




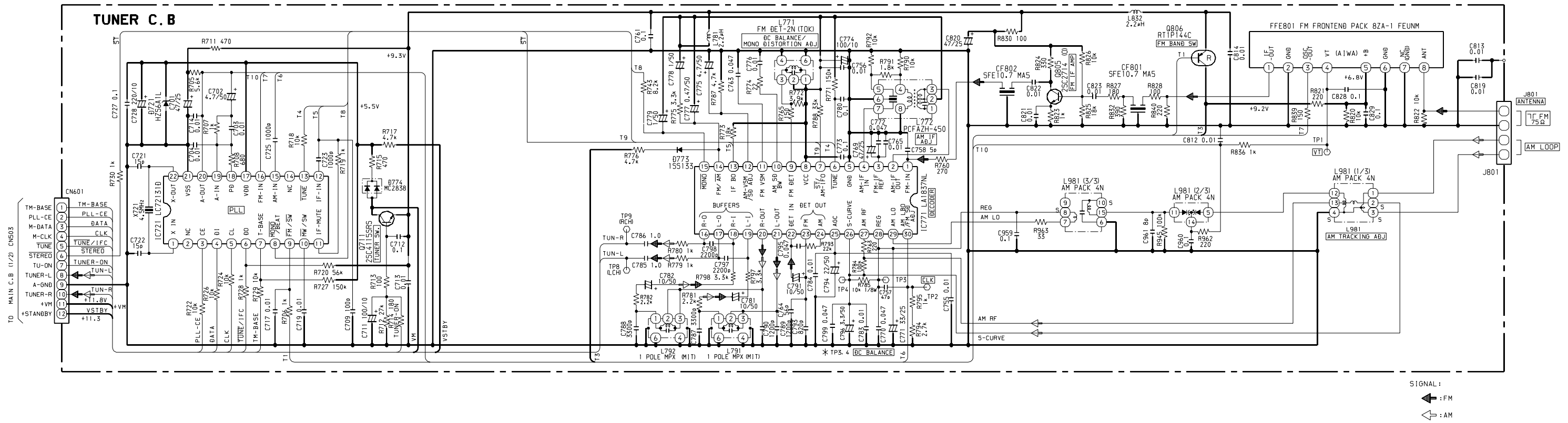


# TUNER C. B

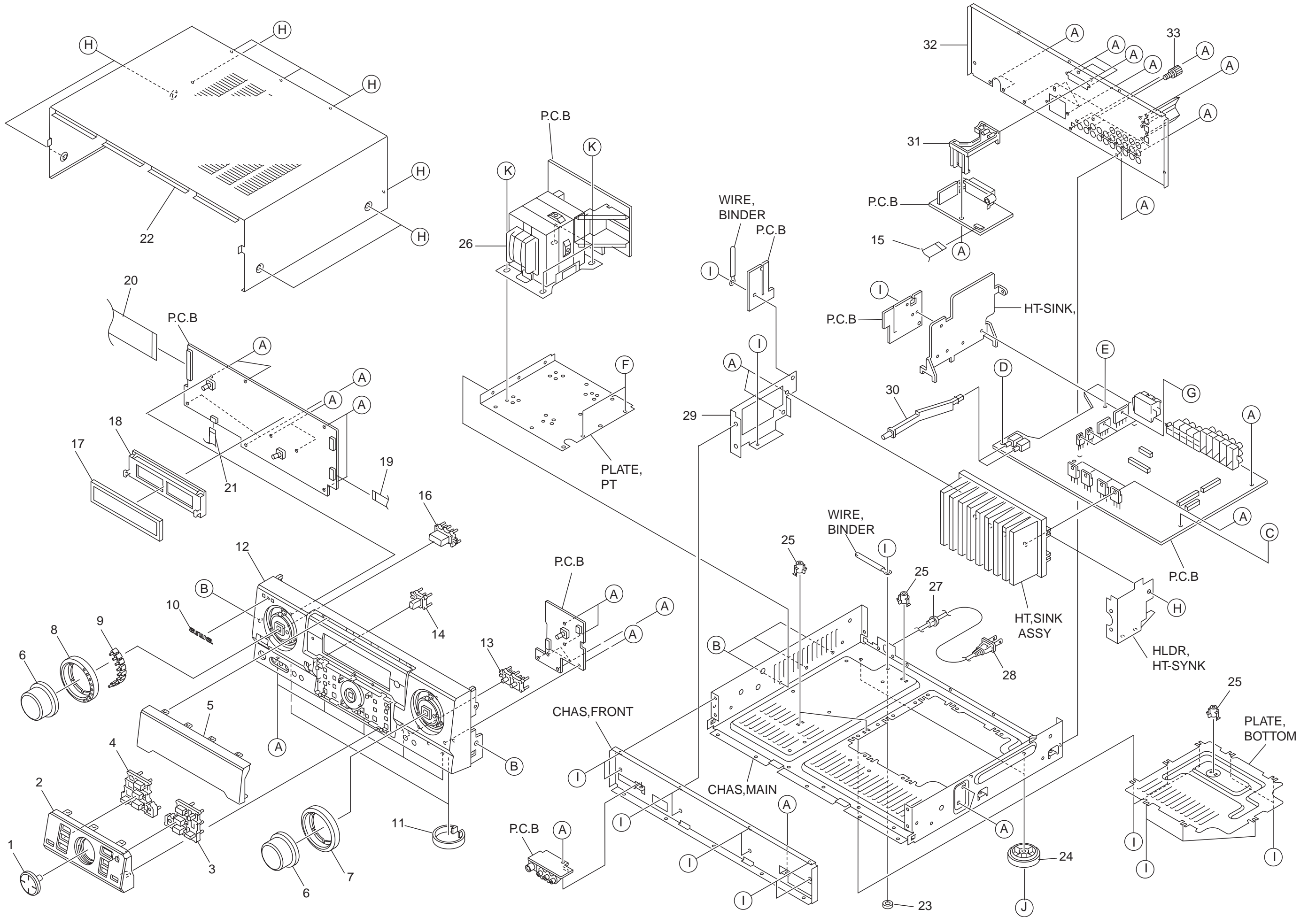
FROM MAIN C. B CN503



SCHEMATIC DIAGRAM - 6 (TUNER)



MECHANICAL EXPLODED VIEW 1 / 1



# MECHANICAL PARTS LIST 1 / 1

REF. NO.	PART NO.	KANRI NO.	DESCRIPTION	REF. NO.	PART NO.	KANRI NO.	DESCRIPTION
1	8A-AR3-006-010		KNOB, RTRY JOG	△ 26	8Z-AR4-601-010		PT, ZAR-4 (U)
2	8A-AR5-003-010		PANEL, FR U	27	87-085-189-010		BUSHING, CORD (U)
3	8A-AR5-007-010		KEY, ASSY, ENTER	△ 28	87-A80-110-010		AC CORD ASSY, U SPT-2W
4	8A-AR5-005-010		KEY, ASSY, DOLBY	29	8A-AR5-206-010		HLDR, HT-SINK L
5	8A-AR5-006-010		WINDOW, DISP U	30	8A-AR3-011-010		BTN, SP
6	8A-AR3-045-010		KNOB, RTRY VOL	31	88-AR1-203-010		HLDR, TU
7	8A-AR3-007-010		RING, VOL	32	8A-AR5-002-010		PANEL, REAR UBM
8	8A-AR3-047-010		RING, FUN	33	87-033-209-010		TERMINAL, EARTH
9	8A-AR3-009-010		REFLECTOR, FUN	A	87-067-703-010		TAPPING SCREW, BVT2+3-10
10	87-CE3-023-010		BADGE, AIWA 30N SILV	B	87-591-095-410		TAPPING SCREW, QIT+3-8 (GLD)
11	8Z-AR1-020-110		RING, FOOT SIL	C	87-067-633-010		TAPPING SCREW, BVT2+3-8
12	8A-AR5-001-010		CABI, FR U	D	87-067-581-010		TAPPING SCREW, BVT2+3-15
13	8A-AR3-024-010		KEY, BAL	E	87-067-632-010		TAPPING SCREW, BVT2+3-15
14	8A-AR3-020-010		KEY, ECO	F	87-067-585-010		TAPPING SCREW, BVTT+4-6
15	88-912-161-110		FF-CABLE, 12P 1.25 160MM	G	87-067-579-010		TAPPING SCREW, BVT2+3-8
16	8A-AR3-021-010		KEY, POWER	H	87-067-641-010		UTT2+3-8 (W/O SLOT) BL
17	8A-AR5-602-010		FL, 9-BT-172GNK R	I	87-067-584-010		TAPPING SCREW, BVT2+3-6
18	88-AR1-209-010		GUIDE, FL	J	87-067-689-010		TAPPING SCREW, BVTT+3-8
19	88-904-101-110		FF-CABLE, 4P 1.25 100MM	K	87-078-191-010		S-SCREW, IT+4-10
20	8A-AR3-643-010		FF-CABLE, 32P 1.25 430MM	L	87-721-095-410		QT2+3-8GLD W/O SLOT
21	88-908-101-110		FF-CABLE, 8P 1.25 10MM				
22	8A-AR5-004-010		CABI, STEEL				
23	8Z-NB8-240-010		COVER, PL				
24	8Z-AR1-021-110		FOOT, REAR				
25	88-AR1-218-010		HLDR, PWB H8.9				

## COLOR NAME TABLE

Basic color symbol	Color	Basic color symbol	Color	Basic color symbol	Color
B	Black	C	Cream	D	Orange
G	Green	H	Gray	L	Blue
LT	Transparent Blue	N	Gold	P	Pink
R	Red	S	Silver	ST	Titan Silver
T	Brown	V	Violet	W	White
WT	Transparent White	Y	Yellow	YT	Transparent Yellow
LM	Metallic Blue	LL	Light Blue	GT	Transparent Green
LD	Dark Blue	DT	Transparent Orange	GM	Metallic Green
YM	Metallic Yellow	DM	Metallic Orange		

**アイワ株式会社** 〒110-8710 東京都台東区池之端1-2-11 ☎03(3827)3111 (代表)  
**AIWA CO.,LTD.** 2-11, IKENOHATA 1-CHOME, TAITO-KU, TOKYO 110, JAPAN TEL:03 (3827) 3111